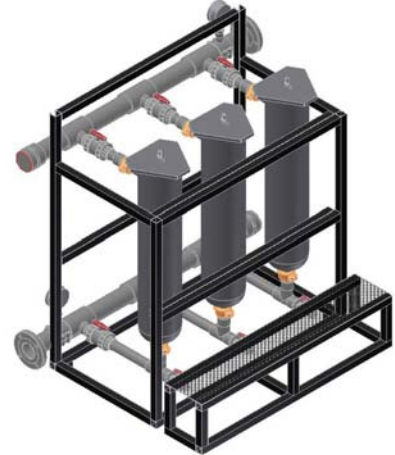


# Bag Filtration System

## PRODUCT DATA SHEET

E-coat paint systems require filtration at several stages to insure high quality results and low rejects or rework. UFS offers a pre-engineered system using FSI brand stainless steel #2 bag filter vessels. The vessels are constructed using PVC manifolds, PVC ball valves, and a powder coated mild steel frame. UF systems should always receive the design flow of paint, even when changing filters. By adding one more vessel a virtual duplex system is achieved without the expense of filter pots.



Bonded edge seam construction



Plastic snap ring insures positive seal



Air purge valve and drain tubing

### Features

- FSI™ brand filter vessels (BFN Series, #2 Size).
- 16" Center-to-Center spacing for Bag Filter Vessels.
- Single-sided (up to 8 positions) and Double-sided (8-16 positions) units to allow for unique space requirements.
- Flow Design is based upon 105 gpm per vessel for paint.
- Tapered PVC manifold so the velocity of the paint is more constant from beginning to end.
- All piping is PVC Schedule 80.
- Powder Coated Mild Steel Frame has front step to allow easier access to bag filters
- Analog Pressure Gauges and 3/4" on the inlet and outlet paint manifolds.
- 1-1/2" PVC ball valves at each Vessel to allow for individual isolation from main paint flow.
- 1/2" PVC Ball Valve on each Vessel for a quick drain.
- Air purge valve and drain tube for each vessel.

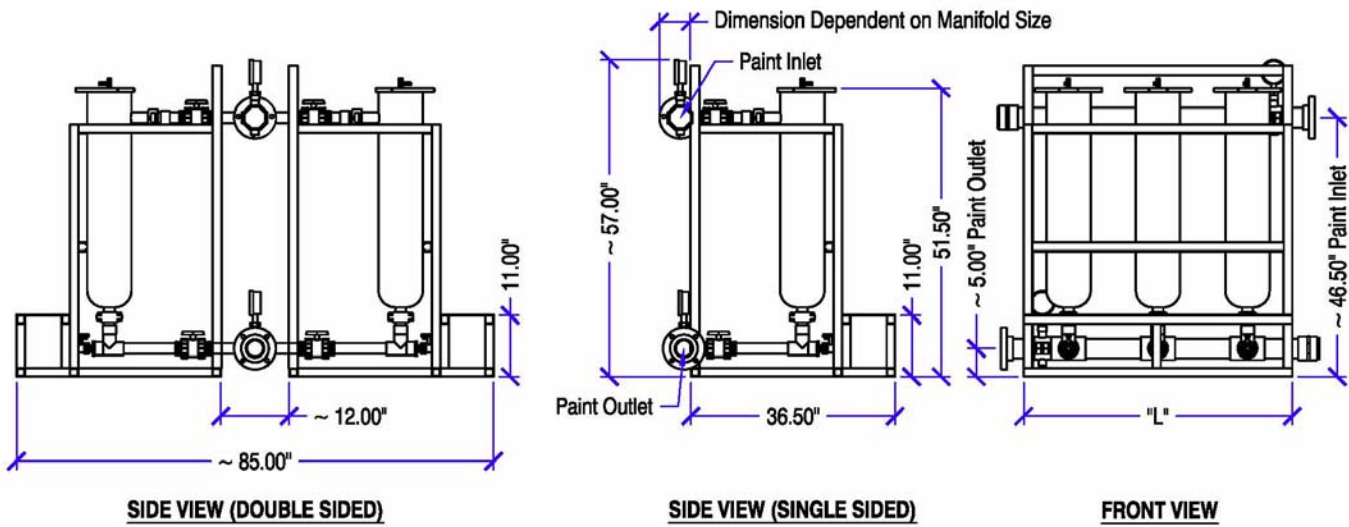
### Benefits

- Duplex functionality allows quick replacement of filter bags without stopping flow to UF System.
- Tapered Manifold designed to maintain ~ 8-12 Feet Per Second. Paint solids are kept in solution and do not fall out due to velocity remaining less at the far end of a straight pipe manifold
- Bag filter vessels accept the FSI brand plastic snap ring design which provides a hermetic seal that prevents liquid bypass around the seal.
- FSI brand filter bags have bonded edges with no stitching. Stitched edges can often be a leak point.
- Air purge valve and drain tubing will quickly allow the removal of unwanted air inside the vessel after a bag change.

### Best Practices

- Place the filtration system above the rim of the E-coat tank so paint solids can drain out quickly with out the use of factory air.
- Use 25 micron glazed polypropylene filter bags for E-coat paint, or as directed by your paint supplier
- Change bags when Delta P is 5-7 psi between inlet and outlet manifolds

**UFS Corporation . 330 North 400 East . Valparaiso, Indiana 46383 USA**  
**+219-464-2027 . +219-464-8646 (Fax) . www.ufsc.com . info@ufsc.com**



Single Sided

Number of Positions	Manifold Diameter	Product Length "L"
2	3"	32"
3	4"	48"
4	4"	64"
5	4"	80"
6	6"	96"
7	6"	112"
8	6"	128"

Double Sided

Number of Positions	Manifold Diameter	Product Length "L"
8	3"	32"
10	4"	48"
12	4"	64"
14	4"	80"
16	6"	96"