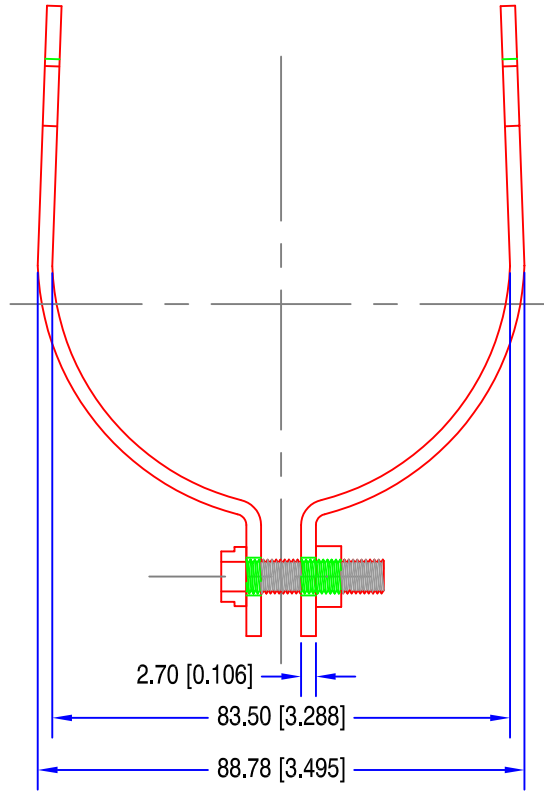
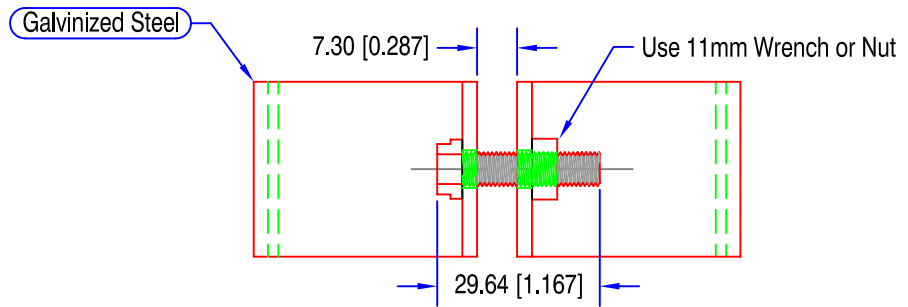


Side View



Top View



Front View

XXXXX = Part Number/Material



Tel: +219-464-2027	Designed By: JS
Fax: +219-464-8646	Date: 4/5/99
Visit us on the Web at www.ufsc.com	Approved By:
	Date:

Clamp, Mtl, 2pc, Strut, 3

UFS Part No. 310010

Sheet:	1/1
Revision:	0
Units:	mm[in]
Scale:	None

THIS MATERIAL IS THE CONFIDENTIAL PROPERTY OF UFS CORPORATION AND SHOULD NOT BE USED IN ANY WAY DETRIMENTAL TO THE CORPORATION'S INTEREST. MATERIAL SHOULD NOT BE COPIED OR REPRODUCED IN PART OR IN WHOLE, AND INFORMATION FROM IT SHALL NOT BE FURNISHED TO OTHERS WITHOUT WRITTEN PERMISSION. ALL RIGHTS OF DESIGN AND INVENTION ARE RESERVED BY UFS CORPORATION. MATERIAL TO BE RETURNED UPON REQUEST.