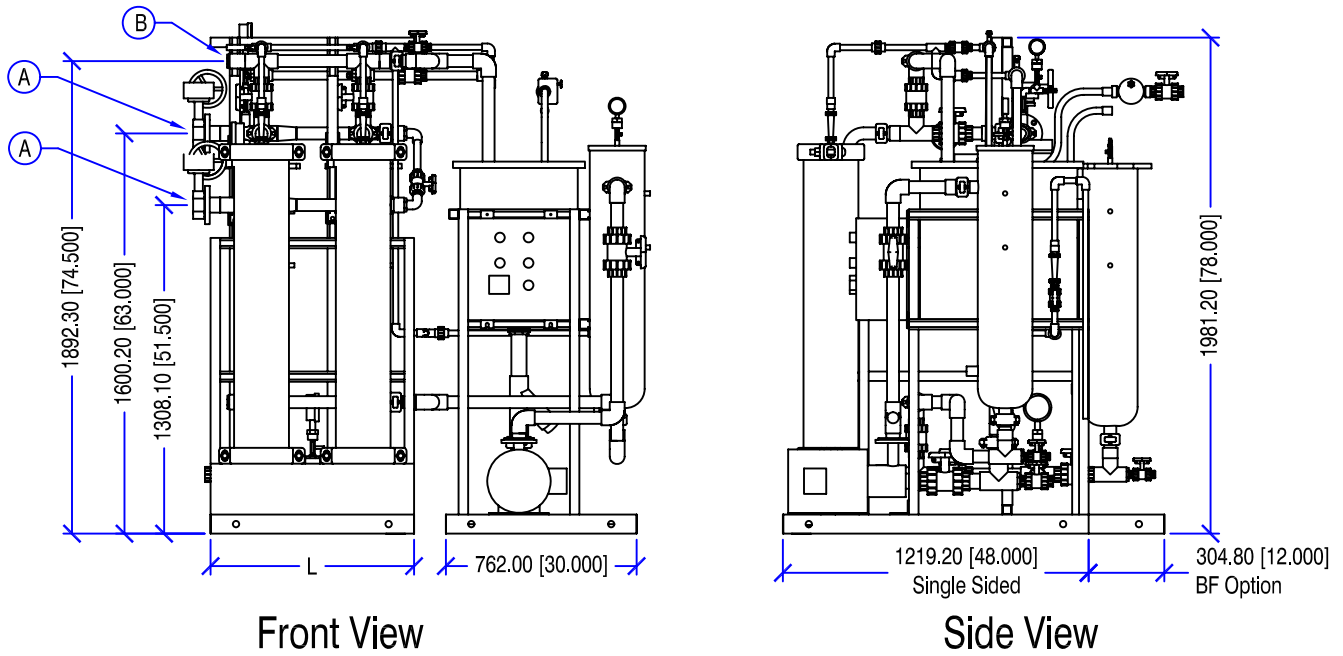



| Number of 8" Modules | Permeate Rate (gpm) per 8" Module |       |       | A<br>(inches) | B<br>(inches) | L<br>(inches) | Weight<br>(Dry/Wet in lbs) | Weight<br>(Dry/Wet in lbs)<br>W/Bag Filter |
|----------------------|-----------------------------------|-------|-------|---------------|---------------|---------------|----------------------------|--|
|                      | -10%                              | STD   | 10%   |               |               |               |                            |  |
|                      | 2.25                              | 2.5   | 2.75  |               |               |               |                            |  |
| 2                    | 4.50                              | 5.00  | 5.50  | 2             | 1 1/2         | 32            | 500/600                    | 600/900                                    |
| 3                    | 6.75                              | 7.50  | 8.25  | 2 1/2         | 2             | 48            | 750/900                    | 900/1350                                   |
| 4                    | 9.00                              | 10.00 | 11.00 | 3             | 2             | 64            | 1000/1200                  | 1200/1800                                  |
| 5                    | 11.25                             | 12.50 | 13.75 | 4             | 2             | 80            | 1250/1500                  | 1500/2250                                  |
| 6                    | 13.50                             | 15.00 | 16.50 | 4             | 2             | 96            | 1500/1800                  | 1800/2700                                  |
| 7                    | 15.75                             | 17.50 | 19.25 | 4             | 2             | 112           | 1750/2100                  | 2100/3150                                  |
| 8                    | 18.00                             | 20.00 | 22.00 | 6             | 2             | 128           | 2000/2400                  | 2400/3600                                  |
| 9                    | 20.25                             | 22.50 | 24.75 | 6             | 2             | 144           | 2250/2700                  | 2700/4050                                  |
| 10                   | 22.50                             | 25.00 | 27.50 | 6             | 2             | 160           | 2500/3000                  | 3000/4500                                  |
| 11                   | 24.75                             | 27.50 | 30.25 | 6             | 2             | 176           | 2750/3300                  | 3300/4950                                  |
| 12                   | 27.00                             | 30.00 | 33.00 | 6             | 2             | 192           | 3000/3600                  | 3600/5400                                  |



## Single Sided TruFlux UF Machine & BF

Please Note: Some piping has been removed in some views for clarity. Drawing accuracy is +/- 12.70 [0.500]. Some Dimensions may change during construction and final design phase.

|  |  |              |         |  |        |      |           |     |
|--|--|--------------|---------|--|--------|------|-----------|-----|
|    | Tel: +219-464-2027                     | Designed By: | JD      | <b>Truflux UF System Proposal</b><br>Single Sided and Intergral Bag Filter |        |      | Sheet:    | 1/1 |
|  | Fax: +219-464-8646                     | Date:        | 7/13/07 |  |        |      | Revision: | 0   |
|  | Visit us on the Web at<br>www.ufsc.com | Approved By: | JD      | UFS Part No. <b>770901</b>   | Units: | mm   |           |     |
|  |  | Date:        | 7/13/07 |  | Scale: | None |           |     |
| THIS MATERIAL IS THE CONFIDENTIAL PROPERTY OF UFS CORPORATION AND SHOULD NOT BE USED IN ANY WAY DETRIMENTAL TO THE CORPORATION'S INTEREST. MATERIAL SHOULD NOT BE COPIED OR REPRODUCED IN PART OR IN WHOLE, AND INFORMATION FROM IT SHALL NOT BE FURNISHED TO OTHERS WITHOUT WRITTEN PERMISSION. ALL RIGHTS OF DESIGN AND INVENTION ARE RESERVED BY UFS CORPORATION. MATERIAL TO BE RETURNED UPON REQUEST. |  |              |         |  |        |      |           |     |